

Lightweight Tube Clamp

轻型车管夹

- ① Ballhead locking knob to adjust the tightness

球头锁紧旋钮, 可调整球头的松紧

- ② Locking knob for tube clamps to adjust the tightness and removal of the product from the tube

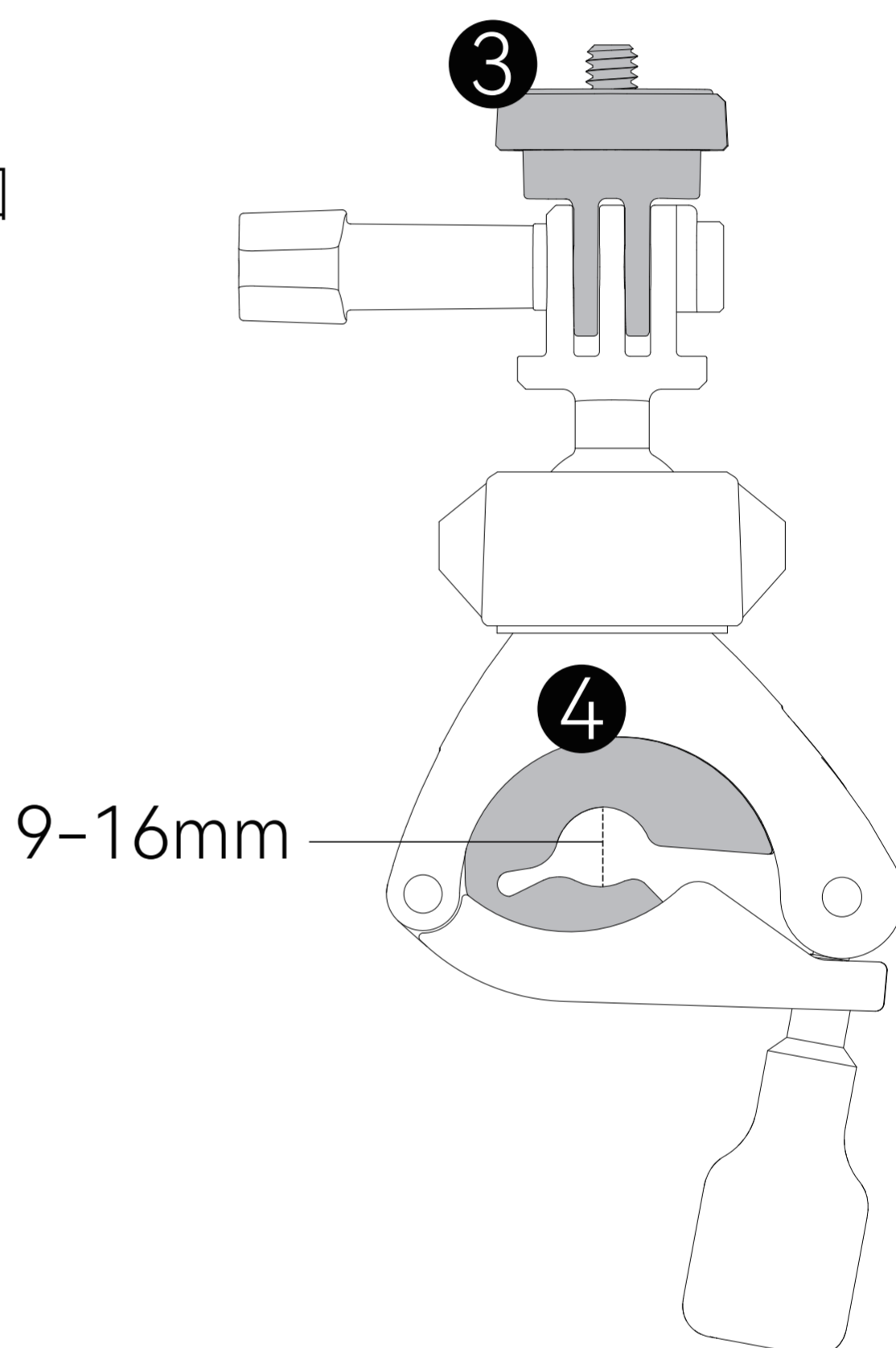
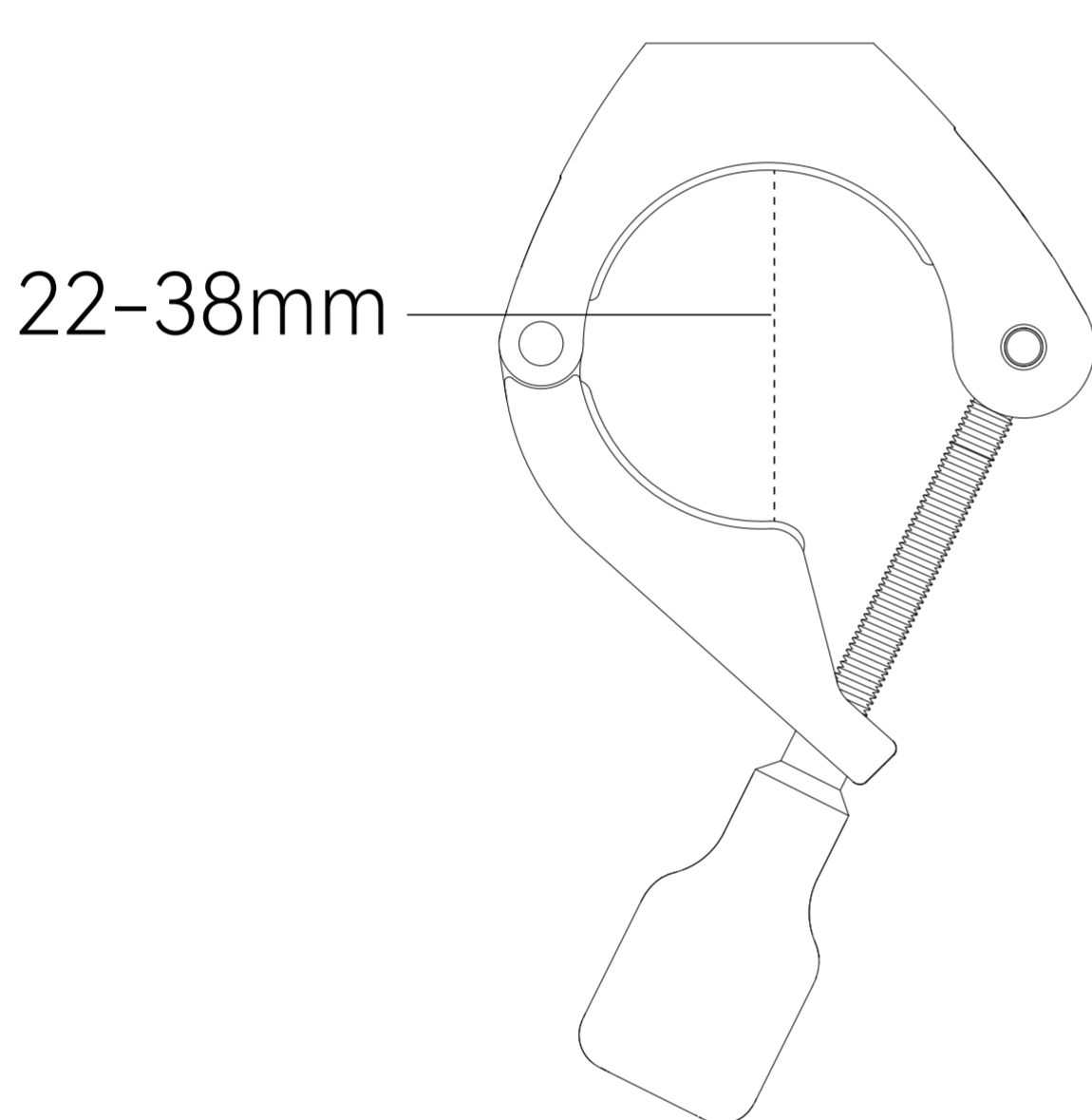
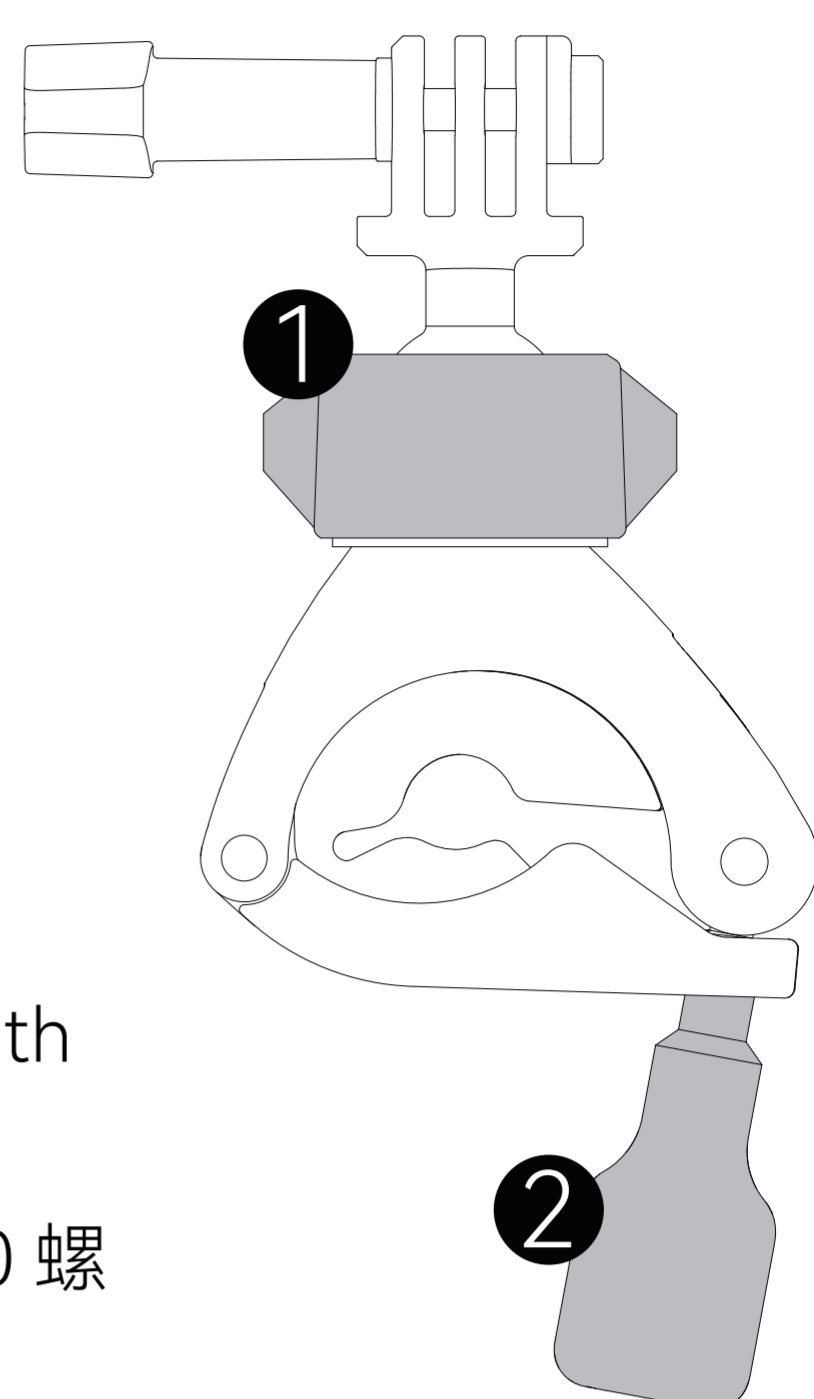
车管夹锁紧旋钮, 可以调整产品与管状物的松紧与拆装

- ③ 1/4 adapter head for attaching cameras with 1/4-20 thread such as panoramic cameras

1/4 转接云台, 用于连接全景相机等带 1/4-20 螺纹的相机

- ④ Mirror cushion, with mirror cushion for 9-16mm diameter tubes, without mirror cushion for 22-38mm diameter tubes

后视镜软垫, 加后视镜垫可以适配直径 9-16mm 的管径, 不加则适配范围为 22-38mm 管径



Note: Do not use it with accessories outside of the set, and be responsible for any damage incurred if not used as required.

注意事项: 请勿搭配套装外配件使用, 不按要求使用产生损失后果自负

Disclaimer 免责声明

Please read this statement carefully and by using this product you will be deemed to have acknowledged and accepted it in full. Please check the product carefully before each use and do not use it if damaged or deformed. By using this product, you acknowledge and agree that you are fully responsible for your actions and the possible consequences of using this product. You undertake to use this product only for legitimate and lawful purposes. You understand and agree that ("Telesin") shall not be liable for any misuse, adverse effects, damages, injuries, penalties or other legal consequences arising directly or indirectly from the use of this product. The user should follow the precautions including but not limited to those mentioned herein. To the extent Telesin reserves the right to interpret and modify this commitment within the limits of national laws and regulations.

请仔细阅读本声明, 一旦使用本产品, 即视为对本声明的全部认可和接受。每次使用前, 请仔细检查产品, 若出现破损、变形, 请勿使用。使用本产品, 就意味着您认可并同意, 您将对使用本产品的行为和可能产生的后果负全部责任。您承诺仅会出于正当合法的目的使用本产品。您理解并同意, 对于直接或间接因使用本产品而造成的滥用、不利影响、损害、伤害、惩罚或者其他法律后果, 泰迅数码有限公司 (以下简称“Telesin”) 将不承担任何责任。用户应遵循包括但不限于本文提及的使用注意事项。在国家法律法规范围内, 本承诺解释权、修改权归 Telesin 所有。