

产品SKU:

S2-HNB-09

产品名称:

运动相机挂脖SE 2.0

物料代码:

ZK

物料名称: **说明书**

材 质: **126g铜版纸**

黑白双面印刷

工 艺:

尺 寸: **50x60mm**

制 图 人: **艾伟明**

制图时间: **20241125**

图纸版本: **00**

卡纸类生产检验标准

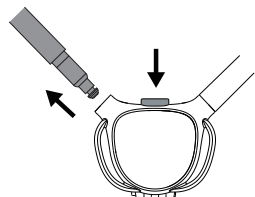
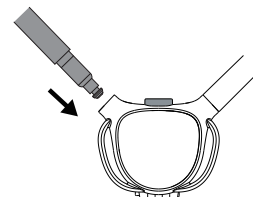
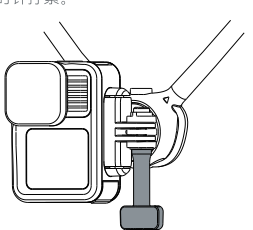
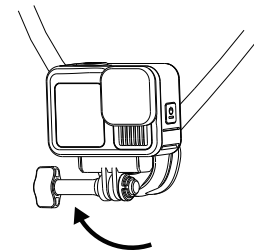
1. 包装盒尺寸允许误差范围±1mm。
2. 模切整齐, 无爆边, 无皱角, 爆角。
3. 印刷清晰, 颜色准确, 无色系偏差, 无墨点, 脏污, 允许走位±1.5mm。
4. 粘贴位齐平, 无残胶, 溢胶。
5. 划痕允许范围: A级面: 无触感L≤20mm, w≤0.5mm, QTY≤1mm可接受, B级面: 无触感L≤30mm, w≤1mm, QTY≤2mm可接受。

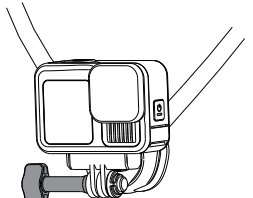
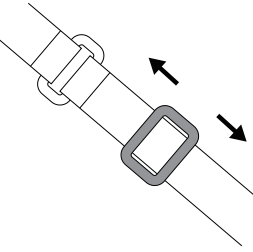
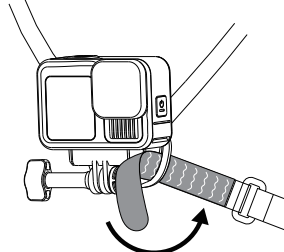

包装未注尺寸公差:

1. 外箱/纸板未注公差: ±3mm
2. 彩盒纸类未注公差: ±1mm
3. 吸塑未注公差: ±0.5mm
4. 丝印/雕刻纸板未注公差: ±0.2mm
5. 泡棉未注公差: ±0.5mm
6. 布包未注公差: ±1mm

深圳市泰迅数码有限公司

标准制表版本号: TX20240127

<p>TELESIN</p> <p>Action Camera Neck Mount SE 2.0</p> <p>运动相机挂脖SE 2.0</p> <p>User Guide / 操作说明</p>	<p>1. Unlock 解锁</p> <p>Press the top button to unlock the neck lock. 按压顶部按钮解锁挂脖锁扣。</p> 	<p>2. Wear 佩戴</p> <p>Insert the lock latch from top to bottom. 将挂脖锁扣从上往下插入安装。</p> 	<p>3. Mounting the camera 安装相机</p> <p>① Attach the camera to the adapter and insert the screw to tighten clockwise. 将相机连接到挂脖支架转接座, 插入螺杆顺时针拧紧。</p> 	<p>② After locking, it can be rotated 360°. 锁紧后可360°旋转。</p> 
--	---	---	--	---

<p>Disclaimer 免责声明</p> <p>Please read this statement carefully and by using this product you will be deemed to have acknowledged and accepted it in full. Please check the product carefully before each use and do not use it if damaged or deformed. By using this product, you acknowledge and agree that you are fully responsible for your actions and the possible consequences of using this product. You undertake to use this product only for legitimate and lawful purposes. You understand and agree that ("Telesin") shall not be liable for any misuse, adverse effects, damages, injuries, penalties or other legal consequences arising directly or indirectly from the use of this product. The user should follow the precautions including but not limited to those mentioned herein. To the extent Telesin reserves the right to interpret and modify this commitment within the limits of national laws and regulations.</p> <p>The warranty period for TELESIN products begins 6 months on the day you receive the product.</p> <p>请仔细阅读本声明, 一旦使用本产品, 即视为对本声明的全部认可和接受。每次使用前, 请仔细检查产品, 若出现破损、变形、请勿使用。使用本产品, 就意味着您认可并同意, 您将对本产品的行为和可能产生的后果负全部责任。您承诺仅出于正当合法的目的使用本产品, 您理解并同意, 对于直接或间接因使用本产品而造成的滥用、不利影响、损害、伤害、惩罚或者其他法律后果, 泰迅数码有限公司(以下简称"Telesin")将不承担任何责任。用户应遵循包括但不限于本文提及的使用注意事项, 在国家法律法规范围内, 本承诺解释权、修改权归 Telesin 所有。泰迅保修期从您收到货物后的当日起计算, 享有 6 个月保修服务。 www.telesin.com</p>	<p>4. Disassembling the camera 拆卸相机</p> <p>Unscrew the screw counter-clockwise and remove the camera. 将螺杆逆时针拧出, 再把相机拆下来。</p> 	<p>5. Install the strap 安装绑带</p> <p>① Adjust the length of the strap. 调节绑带长度。</p> 	<p>② Thread the strap through the holes and attach the Velcro. 将绑带穿过孔位, 并贴好魔术贴。</p> 	 <p>Declaration of Conformity</p>
---	---	---	---	--